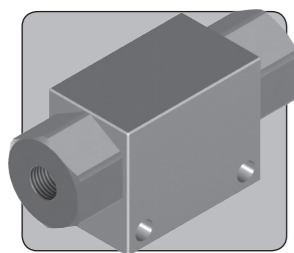


# SV50 SHUTTLE VALVE

**1/4" 3/8" 1/2" UP TO 552 BAR  
8,000 PSI**



The SV50 is a 1/2" nominal bore shuttle valve. The valve will sense the higher of two pressures and send this pressure to the outlet port.

The valve uses sealed poppet technology to give virtually zero leakage with liquids and gases.

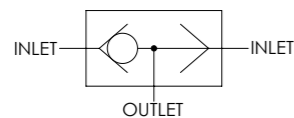
- Shuttle valve
- Stainless steel construction
- Sealed poppet design
- Virtually zero leakage
- Suitable for liquid or gas
- Suitable for use with air, nitrogen, sweet natural gas, mineral oils, water glycols, water and sea water
- Suitable for many other media, contact us for advice
- Higher pressure and subsea variants available
- NACE MR01-75 compliant version available
- Various seal options available
- Various porting options available

## Specifications

**BASIC MODEL NUMBER**

**SV50**

**SYMBOL**



**MAX WORKING PRESSURE (LIQUID)**

552 bar  
(8,000 psi)

**MAX WORKING PRESSURE (GAS)**

276 bar  
(4,000psi)

**CV (FLOW CAPACITY)**

SV50/25 - 1.26  
SV50/37 - 2.52  
SV50/50 - 3.11

**FLUID**

Liquids and Gases  
See materials section

**TEMPERATURE RANGE**

See Product Selector opposite  
and Technical Data section

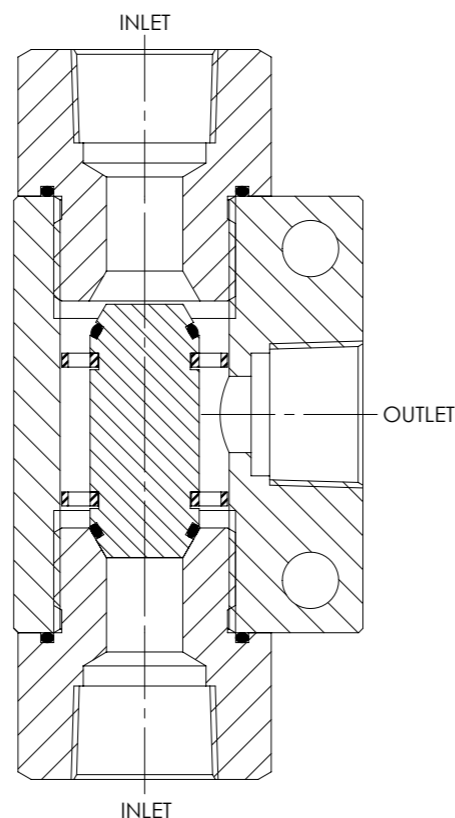
**PORT SIZE**

1/4", 3/8" or 1/2"

**WEIGHT**

1.1 kg  
(2.4 lb)

Specifications may change without notice



## Materials

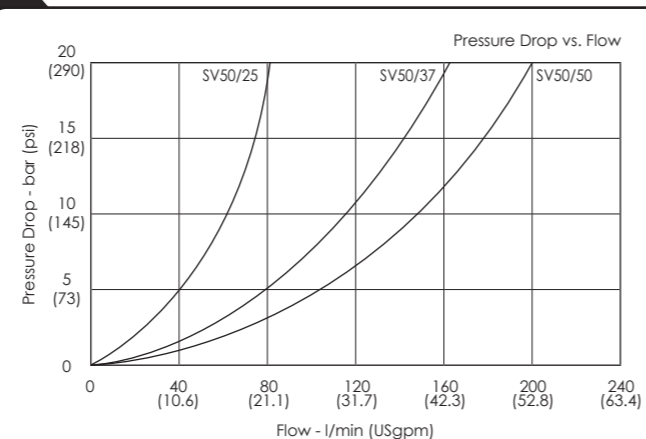
Externally Exposed Parts: 316 stainless steel.

Internally Wetted Parts: 316 stainless steel and acetal.

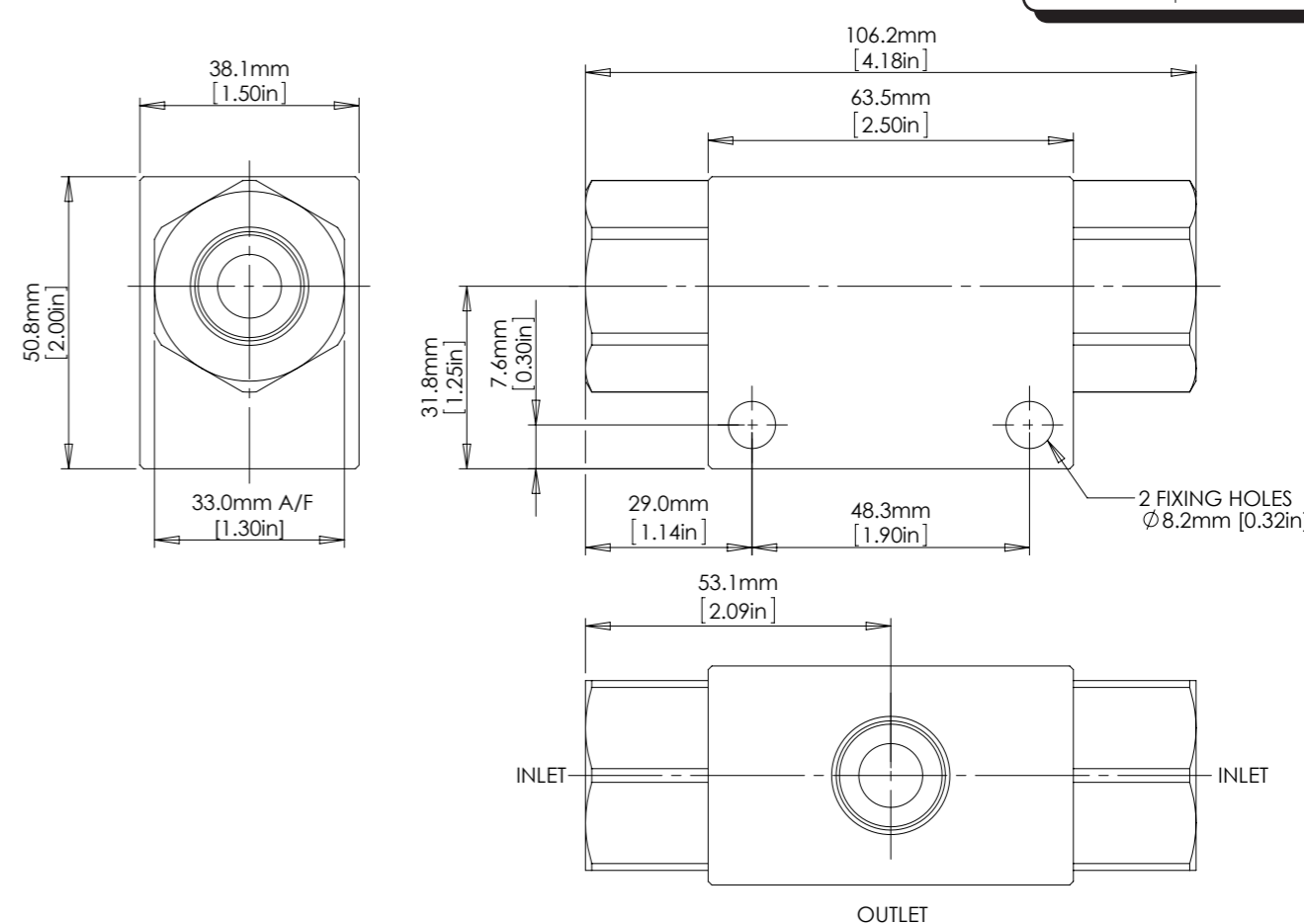
The standard valve is designed for use with air, nitrogen, sweet natural gas, mineral oil, water glycols, plain water and sea water and may also be used with a wide variety of media compatible with the materials of construction.

⚠ The standard valve has Viton® seals. Further seal options are available via the Product Selector. Compatibility with the working fluid at the operating temperature must be considered.

## Typical Performance



## Installation Diagram



## Product Selector

### SV50 /25P - NBR - 8K

VALVE TYPE	PORTING OPTIONS	SEAL OPTIONS	MAX WORKING PRESSURE
<b>SV50</b>	<b>/25P</b> 1/4" BSPP female	Leave blank for Viton® seals -10°C to +120°C	<b>8K</b> 552 bar (8,000 psi) Liquid  276 bar (4,000 psi) Gas
	<b>/25N</b> 1/4" NPT female	<b>NBR</b> Nitrile seals -30°C to +105°C	
	<b>/37P</b> 3/8" BSPP female	<b>EP</b> EPDM seals -45°C to +120°C	
	<b>/37N</b> 3/8" NPT female	<b>KLZ</b> Kalrez® seals -25°C to +120°C	
	<b>/50P</b> 1/2" BSPP female	<b>HNBR</b> Hydrogenated Nitrile seals -20°C to +120°C	
	<b>/50N</b> 1/2" NPT female	Further seal options are available on request	

Repair and seal kits are available  
on request

For a seal kit add SK at the end of the  
model code and for a repair kit add RK



Catalogue also available on digital media  
Visit our website for a full online search facility  
[www.bisvalves.co.uk](http://www.bisvalves.co.uk)

SOLENOID  
STOP AND METERING  
3 PORT DIRECTIONAL CONTROL  
4 PORT DIRECTIONAL CONTROL  
CHECK AND SHUTTLE  
PILOT OPERATED CHECK  
RELIEF  
EXCESS FLOW  
FILTERS  
PRESSURE SENSING  
PUMPS  
ACTUATORS  
TECHNICAL DATA