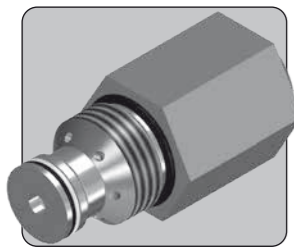


RL25C

RELIEF VALVE

1/4" UP TO 1,034 BAR 15,000 PSI



The RL25C is a cartridge style relief valve. Designed for emergency relief applications, it may be used to protect systems up to 1,034 bar (15,000 psi).

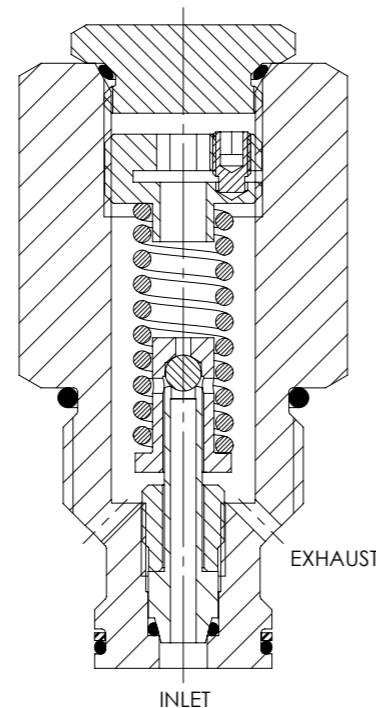
The valve is a proportional metering style relief valve, and is approved as a safety accessory to category IV of the Pressure Equipment Directive, enabling its use in the most demanding applications.

- Approved to category IV of the Pressure Equipment Directive (2014/68/EU)
- Cartridge style valve, ideal for use in manifolds
- Wire locking and tagging available on request
- Minimal leakage at 90% of set pressure
- Reseat within 20% of set pressure
- Repeatably within ±5% of set pressure
- Suitable for subsea applications
- Suitable for use with mineral oils and water glycols, with options for water and sea water duty
- Suitable for many other media, contact us for advice
- Various spring ranges available.

Specifications

BASIC MODEL NUMBER	RL25C
SYMBOL	
MAX WORKING PRESSURE	1,034 bar (15,000 psi)
MAX OUTLET PORT PRESSURE	69 bar (1,000 psi) <i>Note: Any outlet port pressure is directly additive to the set pressure</i>
ORIFICE SIZE	Ø3.2mm (Ø0.125")
FLUID	Liquids only <i>See materials section</i>
TEMPERATURE RANGE	<i>See Product Selector opposite and Technical Data section</i>
NOMINAL SIZE	1/4"
WEIGHT	0.5 kg (1.1 lb)

Specifications may change without notice



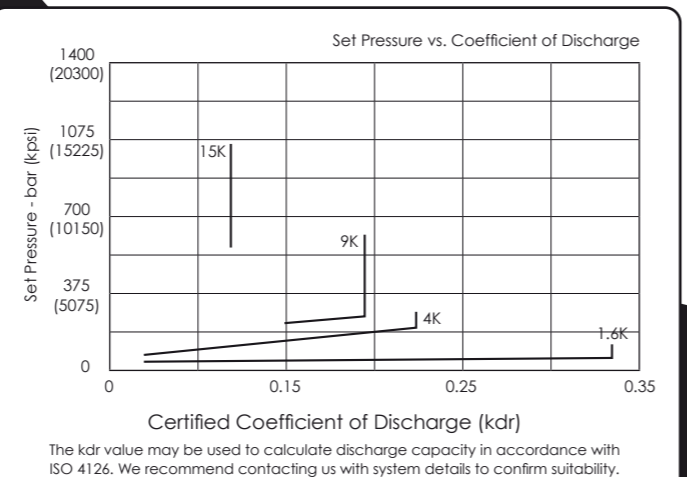
Materials

Externally Exposed Parts: 316 stainless steel.

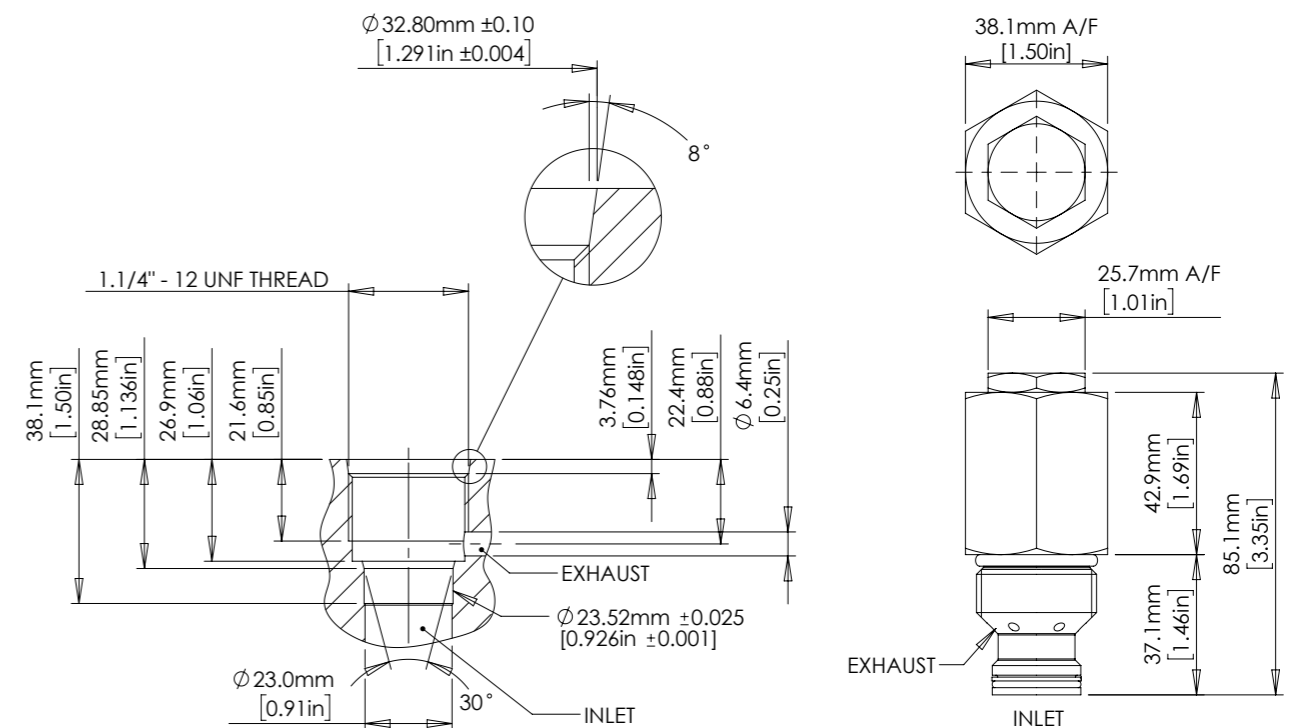
Internally Wetted Parts: 316 and 302 stainless steel and acetal. The seat and ball are 440C stainless steel and silicon nitride respectively. The water duty version contains a 17-4 PH stainless steel seat. The sea water duty valve uses only 316 stainless steel, iniconel and silicon nitride in wetted areas. Note that use with water above 100°C is not recommended.

! The standard valve has Viton® seals. Further seal options are available via the Product Selector. Compatibility with the working fluid at the operating temperature must be considered.

Typical Performance



Installation Diagram



NOTE - TOLERANCED DIMENSIONS TO HAVE SURFACE FINISH OF 0.8

CAVITY DETAIL

CONTACT US FOR FULL CAVITY MANUFACTURING DETAILS

Product Selector

RL25C - WD - NBR - 1.6K			
VALVE TYPE	WORKING FLUID OPTIONS	SEAL OPTIONS	SET PRESSURE RANGE
RL25C	Leave blank if none required WD Water duty SWD Sea water duty	Leave blank for Viton® seals -10°C to +120°C NBR Nitrile seals -30°C to +105°C KLZ Kalrez® seals -25°C to +120°C HNBR Hydrogenated Nitrile seals -20°C to +120°C <i>Further seal options are available on request</i>	1.6K 28 - 110 bar (400 - 1,600 psi) 4K 69 - 276 bar (1,000 - 4,000 psi) 9K 207 - 621 bar (3,000 - 9,000 psi) 15K 552 - 1,034 bar (8,000 - 15,000 psi) <i>Advise us of set pressure if factory pre-setting is required</i>

Repair and seal kits are available on request
For a seal kit add SK at the end of the model code and for a repair kit add RK



CATALOGUE ALSO AVAILABLE ON CD
VISIT OUR WEBSITE FOR A FULL ONLINE SEARCH FACILITY
www.bisvalves.co.uk



BS VALVES
The Specifier's Catalogue Page ???

SOLENOID
FLOW CONTROL
3 PORT DIRECTIONAL CONTROL
4 PORT DIRECTIONAL CONTROL
CHECK AND SHUTTLE
PILOT OPERATED CHECK
RELIEF
EXCESS FLOW
FILTERS
PRESSURE SENSING
PUMPS
ACTUATORS
TECHNICAL DATA