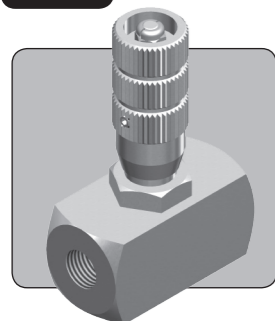


# MF25 METERING VALVE

**1/4" UP TO 552 BAR 8,000 PSI**



The MF25 is a 1/4" nominal bore flow metering valve, adjustable via a micrometer style handle. The valve is marked with a preferred direction of flow, but it may be used in the opposite direction to provide bi-directional speed control of a cylinder or actuator, although the level of metering will vary depending on direction.

Note that this valve is not intended to provide tight shut-off when closed.

- Flow control valve for metering applications
- Micrometer style adjustment with engraved graduations
- Lockable adjustment
- Non-rotating valve stem protects valve seat
- Suitable for short term subsea use
- Suitable for liquid or gas
- Suitable for use with air, nitrogen, sweet natural gas, mineral oils, water glycols and plain water
- Suitable for many other media. Contact us for advice
- Cartridge, manifold mount and panel mount versions available
- Various porting and seal options available

## Specifications

**BASIC MODEL NUMBER**

**MF25**

**SYMBOL**



**MAX WORKING PRESSURE (LIQUID)**

552 bar  
(8,000 psi)

**MAX WORKING PRESSURE (GAS)**

276 bar  
(4,000 psi)

**CV (FLOW CAPACITY)**

Up to 0.65  
See Typical Performance Graph

**FLUID**

Liquids and Gases  
See materials section

**TEMPERATURE RANGE**

See Product Selector opposite  
and Technical Data section

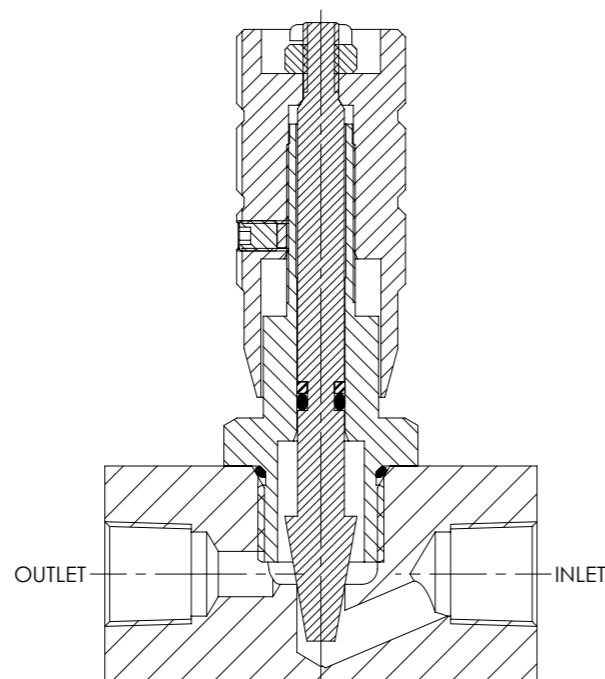
**PORT SIZE**

1/4"

**WEIGHT**

0.45 kg  
(1.0 lb)

Specifications may change without notice



## Materials

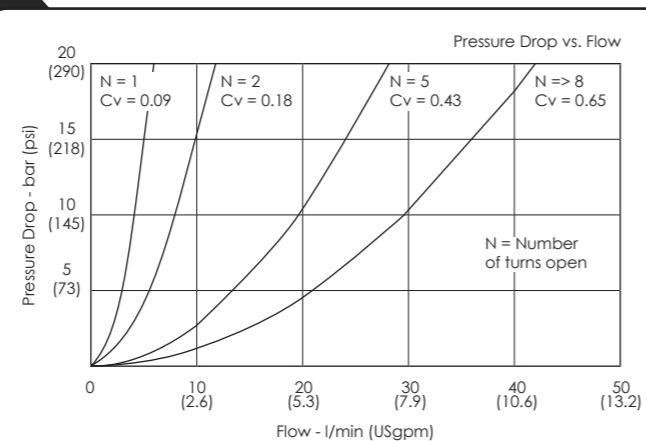
Externally Exposed Parts: 316, 304 and 17-4 PH stainless steel.

Internally Wetted Parts: 316 and 17-4 PH stainless steel and PTFE.

The standard valve is designed for use with air, nitrogen, sweet natural gas, mineral oil, water glycols and plain water and may also be used with a wide variety of media compatible with the materials of construction. Other material options are available. Contact us for advice.

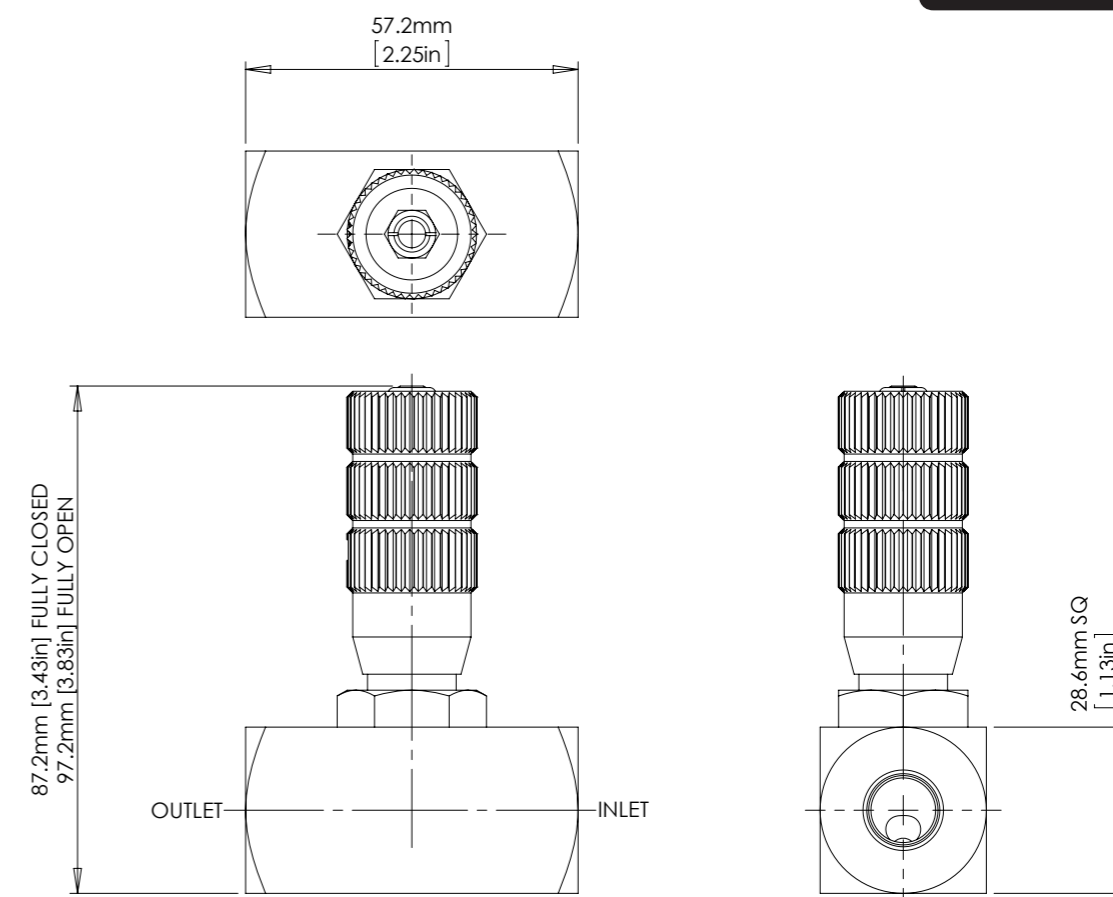
⚠ The standard valve has Viton® seals. Further seal options are available via the Product Selector. Compatibility with the working fluid at the operating temperature must be considered.

## Typical Performance



Typical performance based on water

## Installation Diagram



## Product Selector

**MF25 P - PM - NBR - 8K**

VALVE TYPE	PORTING OPTIONS	VALVE OPTIONS	SEAL OPTIONS	MAX WORKING PRESSURE
<b>MF25</b>	<b>P</b> 1/4" BSPP female	<b>PM</b> Panel mount <i>Not available with manifold or cartridge versions</i>	<b>NBR</b> Nitrile seals -30°C to +105°C	<b>8K</b> 552 bar (8,000 psi) Liquid
	<b>N</b> 1/4" NPT female		<b>HNBR</b> Hydrogenated Nitrile seals -20°C to +120°C	276 bar (4,000 psi) Gas
	<b>M</b> Manifold mount		<b>EP</b> EPDM seals -45°C to +120°C	
	<b>C</b> Cartridge style <i>Seat in cavity</i>		<b>KLZ</b> Kalrez seals -25°C to +120°C	
	<b>FC</b> Full cartridge <i>Seat in cartridge</i>			

Repair and seal kits are available on request

For a seal kit add SK at the end of the model code and for a repair kit add RK

Further seal options are available on request

⚠ Exposure to high and low fluid temperatures will influence handle temperature. Operator safety must be considered

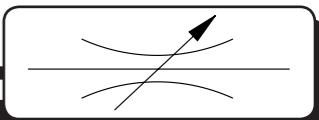


Catalogue also available on digital media  
Visit our website for a full online search facility  
[www.bisvalves.co.uk](http://www.bisvalves.co.uk)

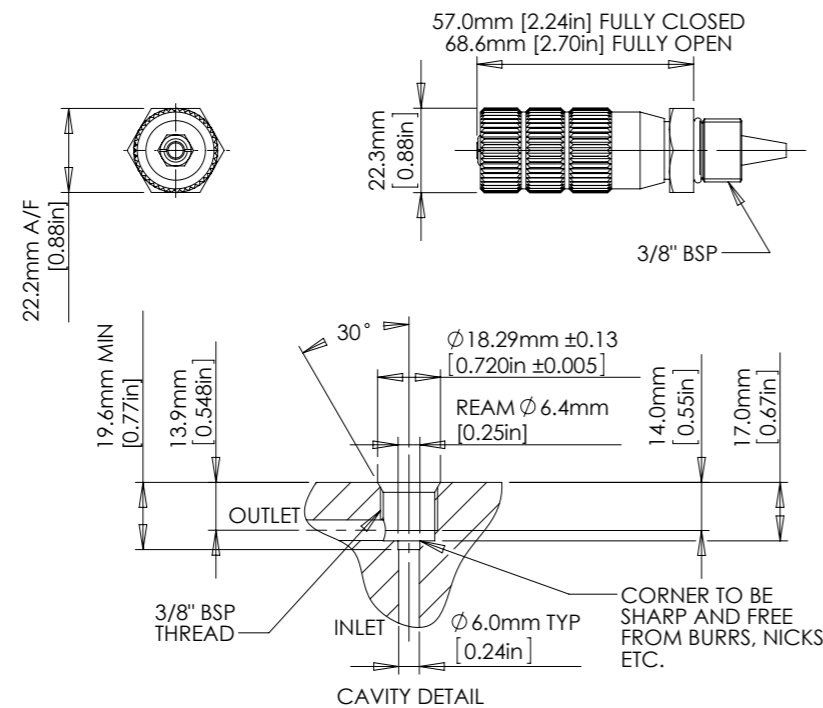
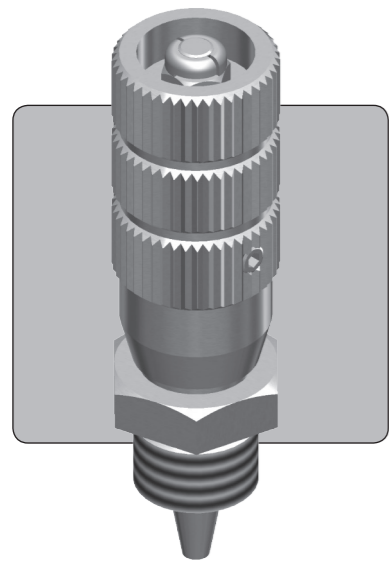
**BS VALVES**  
The Specifier's Catalogue

SOLENOID  
FLOW CONTROL  
3 PORT DIRECTIONAL CONTROL  
4 PORT DIRECTIONAL CONTROL  
CHECK AND SHUTTLE  
PILOT OPERATED CHECK  
RELIEF  
EXCESS FLOW  
FILTERS  
PRESSURE SENSING  
PUMPS  
ACTUATORS  
TECHNICAL DATA

# MF25 METERING VALVE

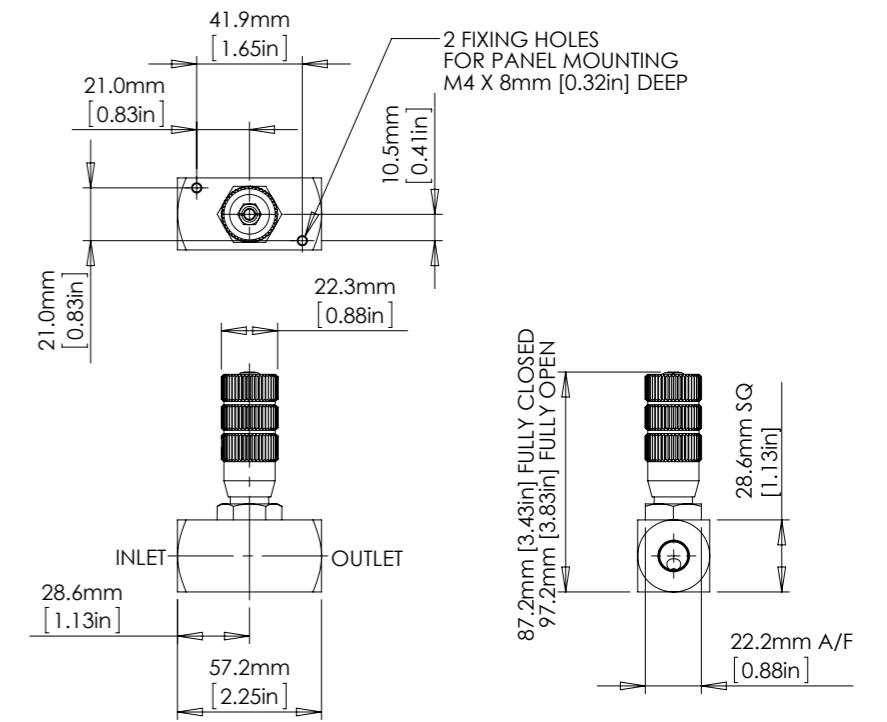
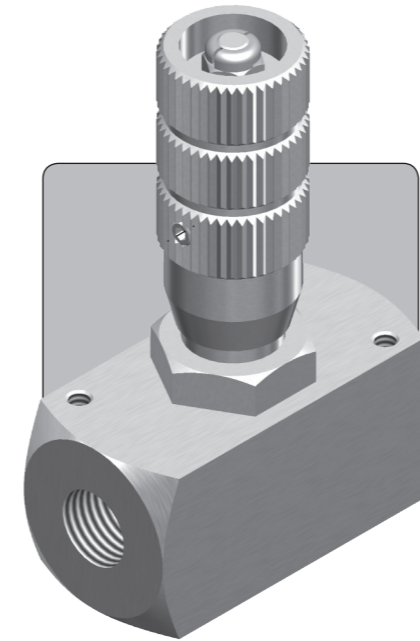


## Cartridge Valve

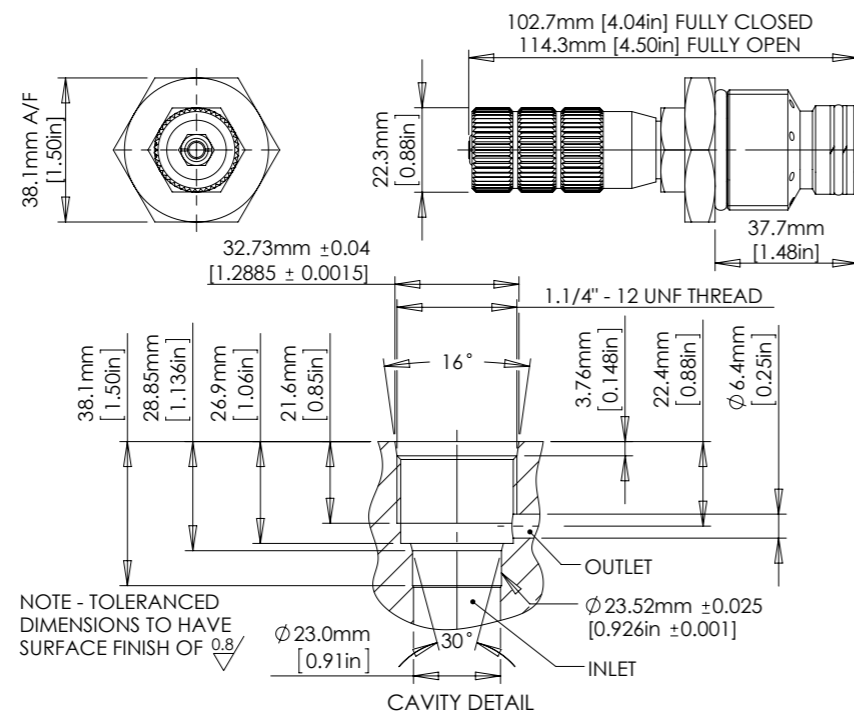
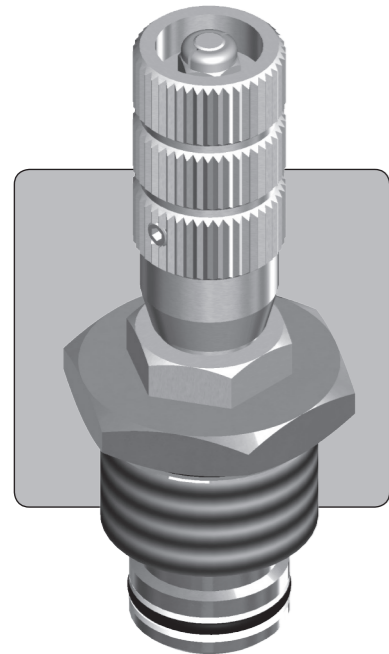


CONTACT US FOR FULL CAVITY MANUFACTURING DETAILS

## Panel Mounted Valve



## Full Cartridge Valve



CONTACT US FOR FULL CAVITY MANUFACTURING DETAILS

## Manifold Mount Valve

