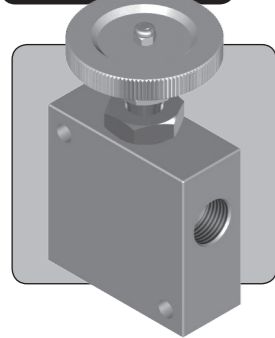


# BNV50-G

## STOP VALVE

1/2" 3/4"

UP TO 414 BAR  
6,000 PSI



The BNV50-G is a 1/2" nominal bore stop valve. It provides tight shut-off when closed via the knurled handwheel and is soft seated allowing use with liquid or gas.

Coarse adjustment allows fast operation. The valve is designed for uni-directional service only.

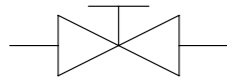
- Manual stop or shut-off valve for liquid or gas
- Lockable adjustment
- Panel mount option
- Non-rotating valve stem protects valve seat
- Suitable for uni-directional shut-off
- Stainless steel construction
- Suitable for use with air, nitrogen, sweet natural gas, mineral oils and water glycols
- Compatible with many other media, contact us for advice
- Cartridge version available, contact us for details
- Various porting options available
- Various seal options available

### Specifications

BASIC MODEL NUMBER

**BNV50-G**

SYMBOL



MAX WORKING PRESSURE

414 bar  
(6,000 psi)

CV (FLOW CAPACITY)

Up to 2.1  
See performance graph

FLUID

Liquids and Gases  
See materials section

TEMPERATURE RANGE

See Product Selector opposite  
and Technical Data section

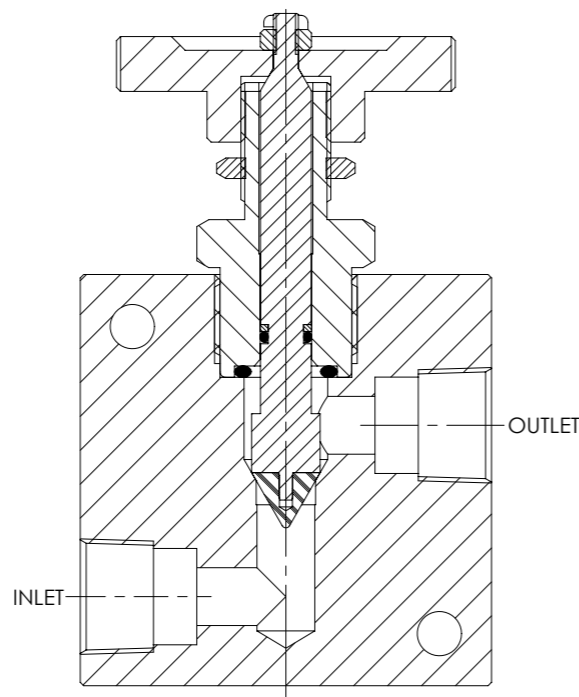
PORT SIZE

1/2" or 3/4"

WEIGHT

1.7 kg  
(3.7 lb)

Specifications may change without notice



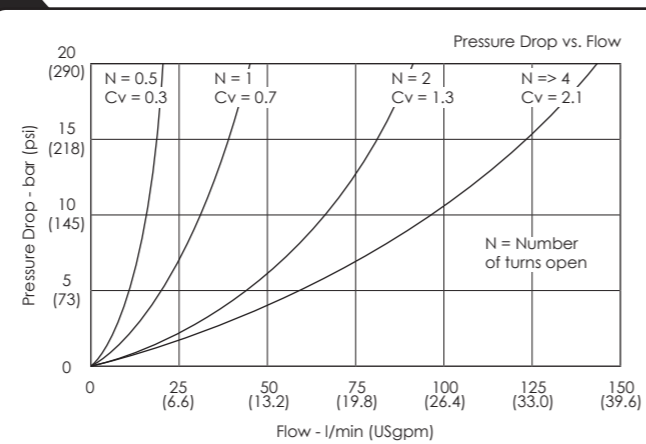
### Materials

Externally Exposed Parts: 316, 431 and other 300 series stainless steels.  
Internally Wetted Parts: 316 and 431 stainless steel, polyamide-imide and acetal.

The standard valve is designed for use with air, nitrogen, sweet natural gas, mineral oil and water glycols but may be used with a wide variety of media compatible with the materials of construction. Other material options are available, please contact us for advice.

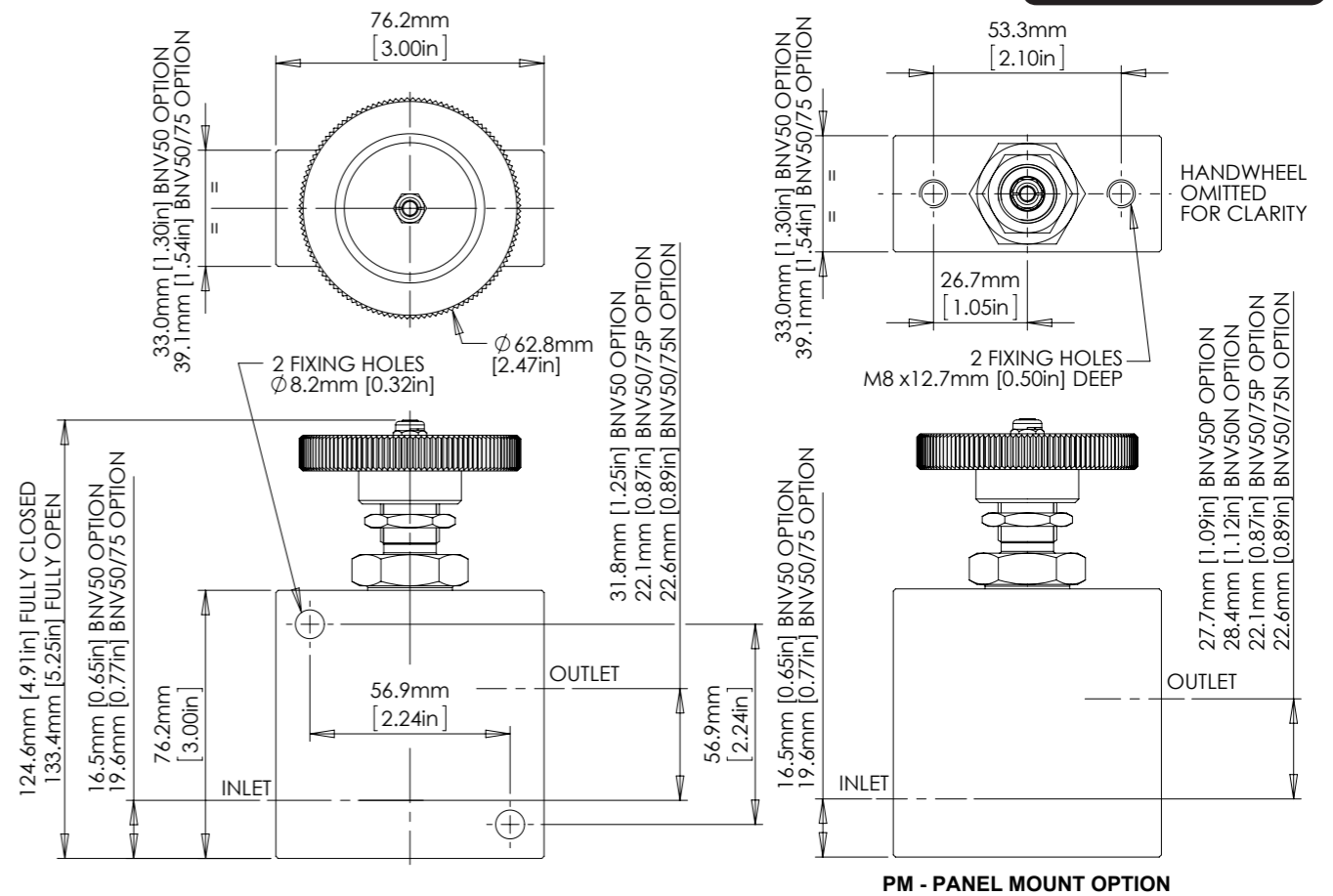
⚠ The standard valve has Viton® seals. Further seal options are available via the Product Selector. Compatibility with the working fluid at the operating temperature must be considered.

### Typical Performance



Typical performance based on water glycol

### Installation Diagram



### Product Selector

BNV50 P - G - PM - NBR - 6K

VALVE TYPE	PORTING OPTIONS	SEAT TYPE	VALVE OPTIONS	SEAL OPTIONS	MAX WORKING PRESSURE
BNV50	<b>P</b> 1/2" BSPP female	<b>G</b> Soft seats	<b>PM</b> Panel mounted	<b>NBR</b> Nitrile seals -30°C to +105°C	<b>6K</b> 414 bar (6,000 psi)
	<b>N</b> 1/2" NPT female			<b>EP</b> EPDM seals -45°C to +120°C	
	<b>/75P</b> 3/4" BSPP female			<b>KLZ</b> Kalrez® seals -25°C to +120°C	
	<b>/75N</b> 3/4" NPT female			<b>HNBR</b> Hydrogenated Nitrile seals -20°C to +120°C	

*G option must be selected*  
*Leave blank if not required*  
*Leave blank for Viton® seals -10°C to +120°C*

Repair and seal kits are available on request  
For a seal kit add SK at the end of the model code and for a repair kit add RK

⚠ Exposure to high and low fluid temperatures will influence handle temperature. Operator safety must be considered.



Catalogue also available on digital media  
Visit our website for a full online search facility  
[www.bisvalves.co.uk](http://www.bisvalves.co.uk)



**BS VALVES**  
The Specifier's Catalogue

SOLENOID  
FLOW CONTROL  
3 PORT DIRECTIONAL CONTROL  
4 PORT DIRECTIONAL CONTROL  
CHECK AND SHUTTLE  
PILOT OPERATED CHECK  
RELIEF  
EXCESS FLOW  
FILTERS  
PRESSURE SENSING  
PUMPS  
ACTUATORS  
TECHNICAL DATA