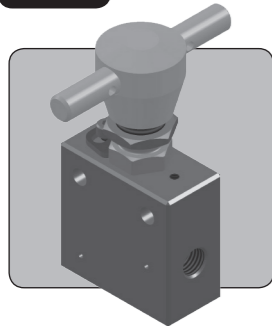


BNV44AE

STOP VALVE

1/4"

UP TO 1379 BAR
20,000 PSI



The BNV44AE is a 1/4" OD tube medium pressure ported stop valve. It provides tight shut-off when closed via the T-bar handle.

The elastomeric stem seal design allows long term use without the need to adjust seal packings in service. Combined with a minimised backlash design, the valve is particularly

suitable to pressure testing and other applications where reliable operation is essential.

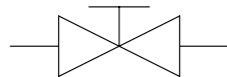
- Manual stop or shut-off valve
- Suitable for uni-directional or bi-directional shut-off
- Industry standard port and mounting configurations
- Non-rotating valve stem protects valve seat
- Free running, anti-galling handle assembly
- Minimised backlash provides greater operator control
- Metal to metal seating with hardened stem for durability
- Panel mountable and lockable adjustment
- Suitable for use with mineral oils, water glycols and plain water
- Compatible with many other media, contact us for advice
- All wetted parts comply with NACE MR01-75

Specifications

BASIC MODEL NUMBER

BNV44AE

SYMBOL



MAX WORKING PRESSURE

1,379 bar
(20,000 psi)

CV (FLOW CAPACITY)

Up to 0.19
See performance graph

FLUID

Liquids only
See materials section

TEMPERATURE RANGE

See Product Selector opposite
and Technical Data section

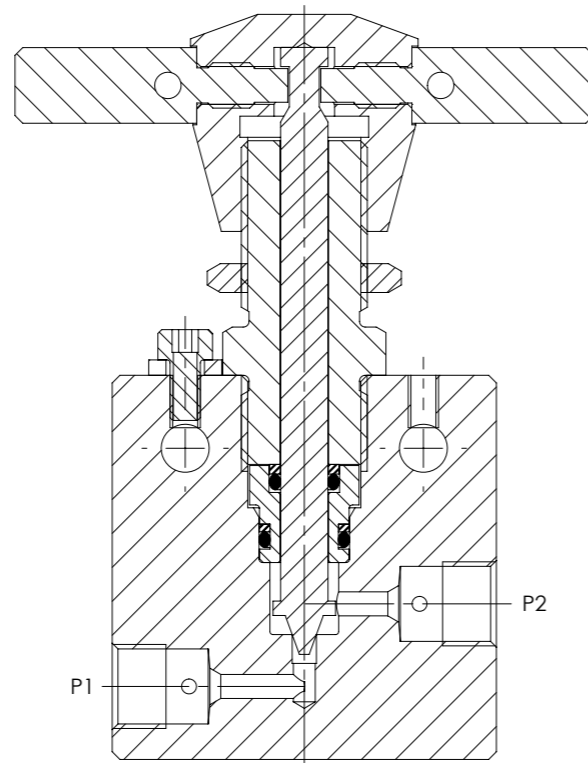
PORT SIZE

1/4" OD medium pressure

WEIGHT

0.7 kg
(1.5 lb)

Specifications may change without notice



Materials

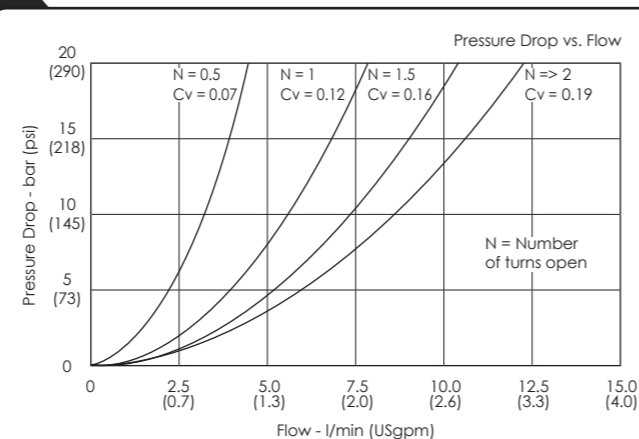
Externally Exposed Parts: 316, other 300 series stainless steels and aluminium bronze.

Internally Wetted Parts: 316 and 17-4 PH stainless steel, and acetal.

The standard valve is designed for use with mineral oil, water glycols and plain water, but may be used with a wide variety of media compatible with the materials of construction. Other material options are available, please contact us for advice.

⚠ The standard valve has Viton® seals. Further seal options are available via the Product Selector. Compatibility with the working fluid at the operating temperature must be considered.

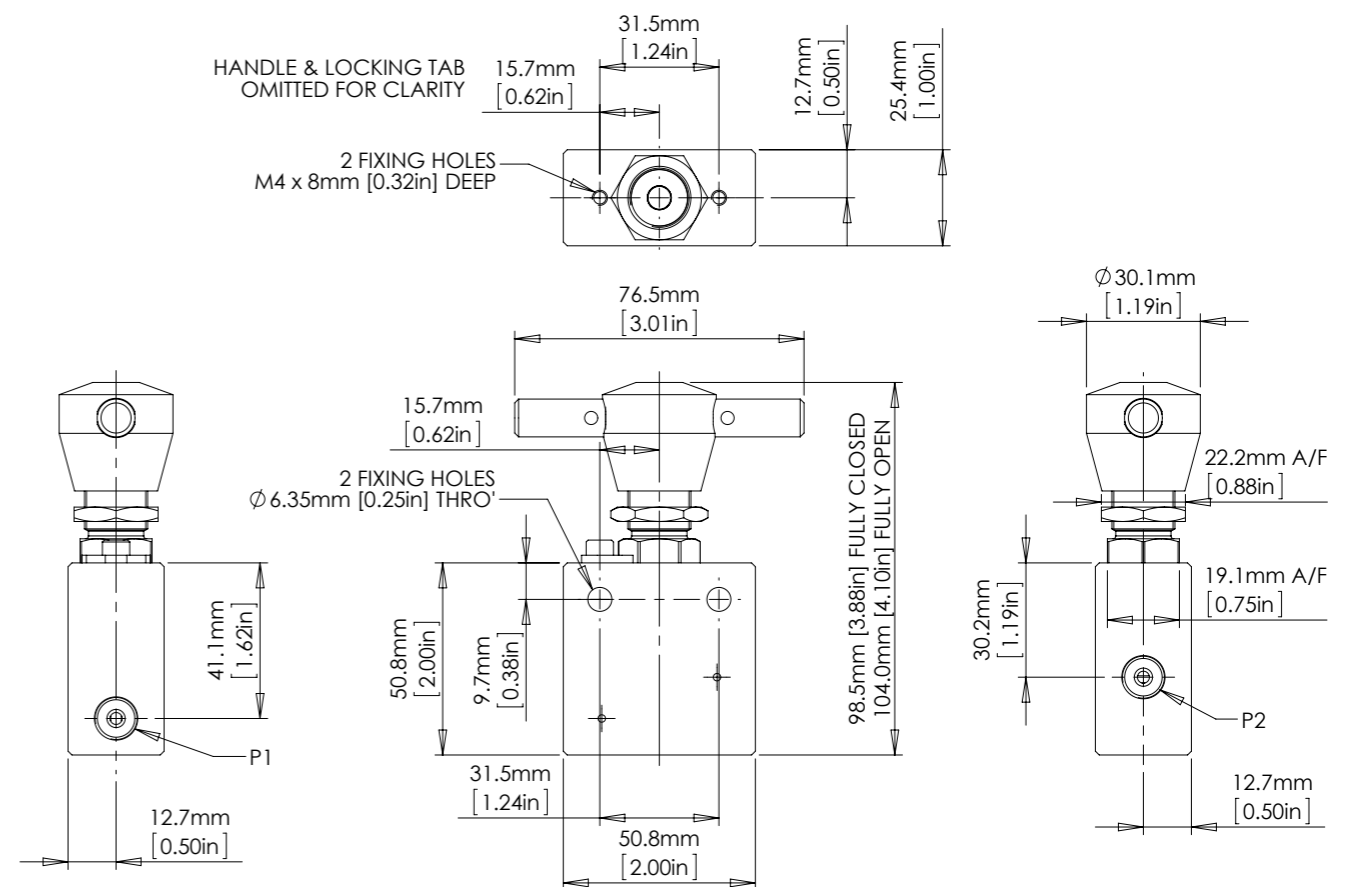
Typical Performance



Typical performance based on water

Installation Diagram

PORTING PATTERN - 01



Product Selector

BNV44AE - 01 - NBR - 20K

VALVE TYPE	PORTING PATTERN	SEAL OPTIONS	MAX WORKING PRESSURE
BNV44AE	01 2-way straight 02 2-way angle 03 3-way (2 inlets) 04 3-way (2 outlets) 05 3-way, 2 stem, block-and-bleed	Leave blank for Viton® seals -10°C to +120°C NBR Nitrile seals -30°C to +105°C EP EPDM seals -45°C to +120°C KLZ Kalrez® seals -25°C to +120°C HNBR Hydrogenated Nitrile seals -20°C to +120°C Further seal options are available on request ⚠ Exposure to high and low fluid temperatures will influence handle temperature. Operator safety must be considered.	20K 1,379 bar (20,000 psi) Liquid

Repair and seal kits are available on request

For a seal kit add SK at the end of the model code and for a repair kit add RK



Catalogue also available on digital media
Visit our website for a full online search facility
www.bisvalves.co.uk

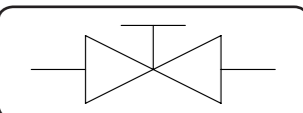


BS VALVES
The Specifier's Catalogue

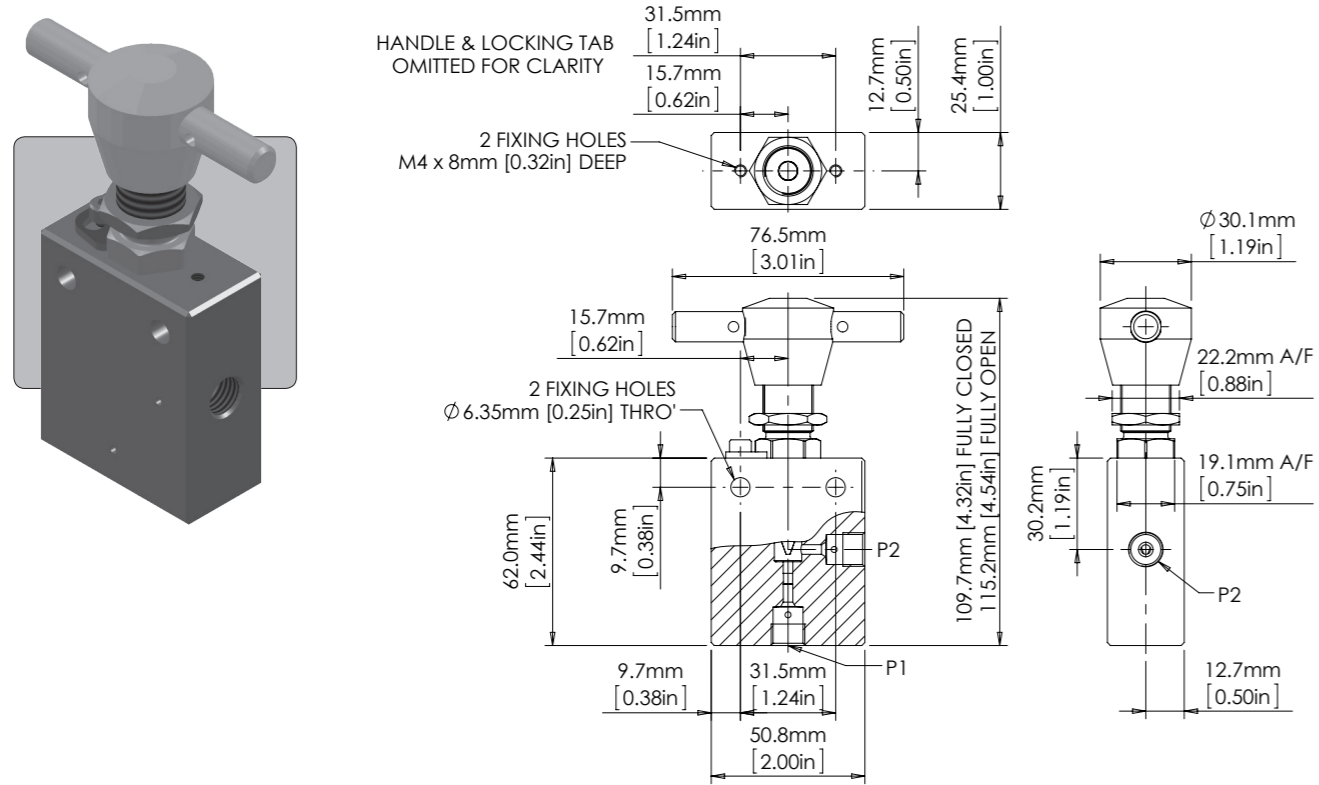
SOLENOID
FLOW CONTROL
3 PORT DIRECTIONAL CONTROL
4 PORT DIRECTIONAL CONTROL
CHECK AND SHUTTLE
PILOT OPERATED CHECK
RELIEF
EXCESS FLOW
FILTERS
PRESSURE SENSING
PUMPS
ACTUATORS
TECHNICAL DATA

BNV44AF

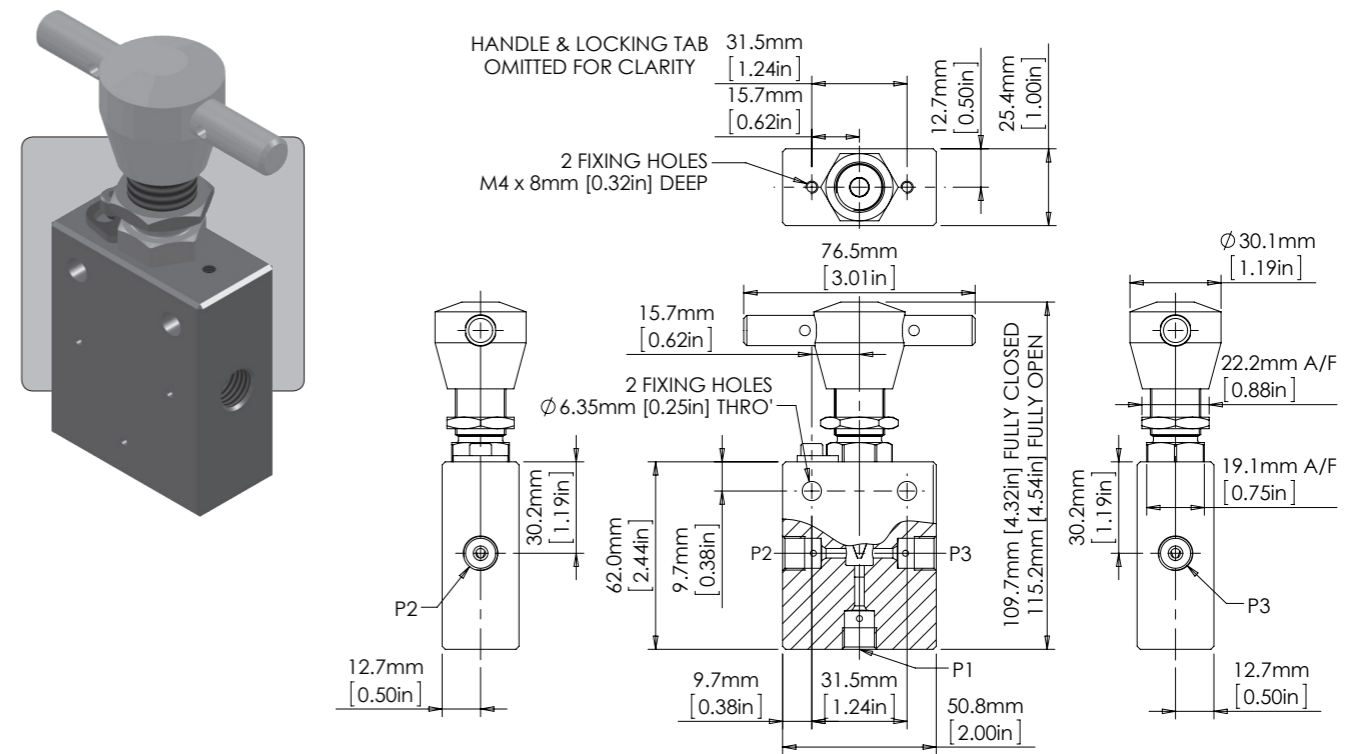
STOP VALVE



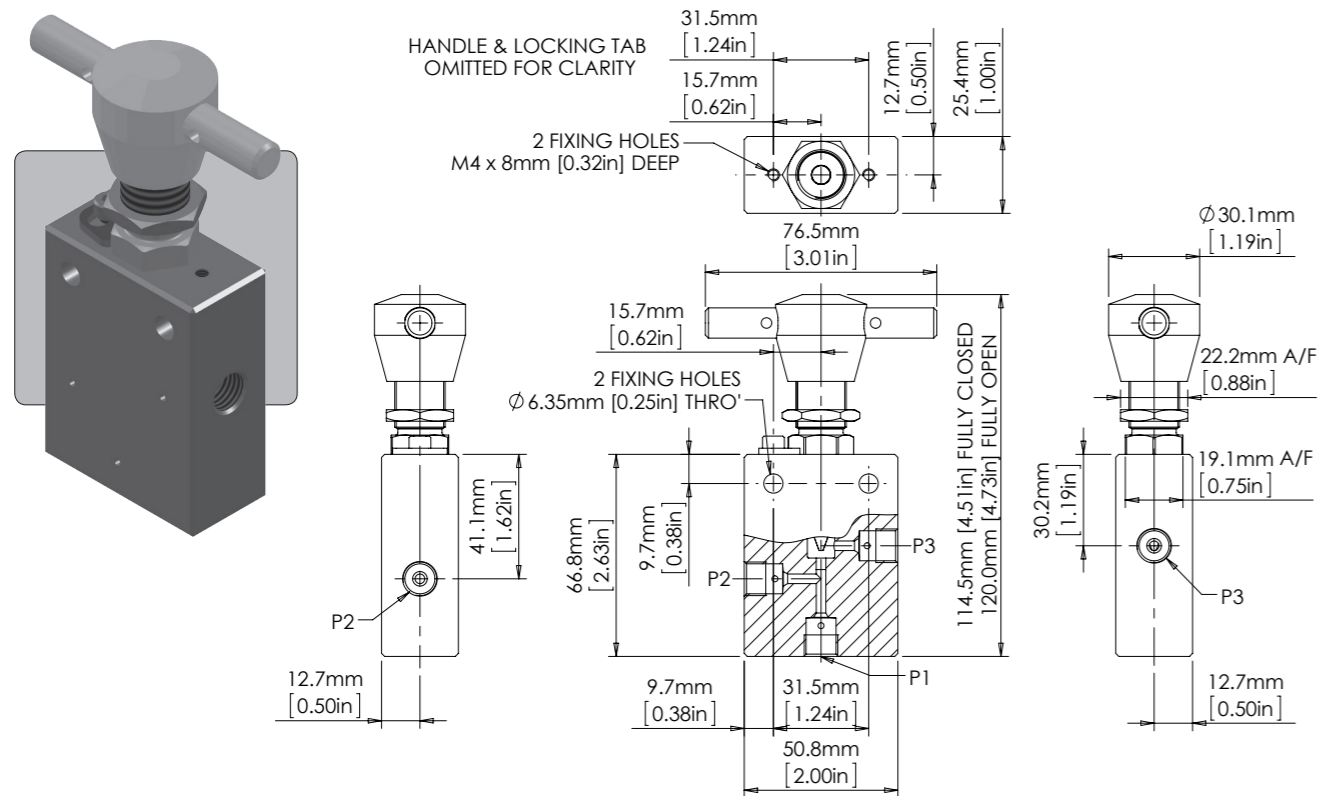
Porting Pattern 02



Porting Pattern 04



Porting Pattern 03



Porting Pattern 05

