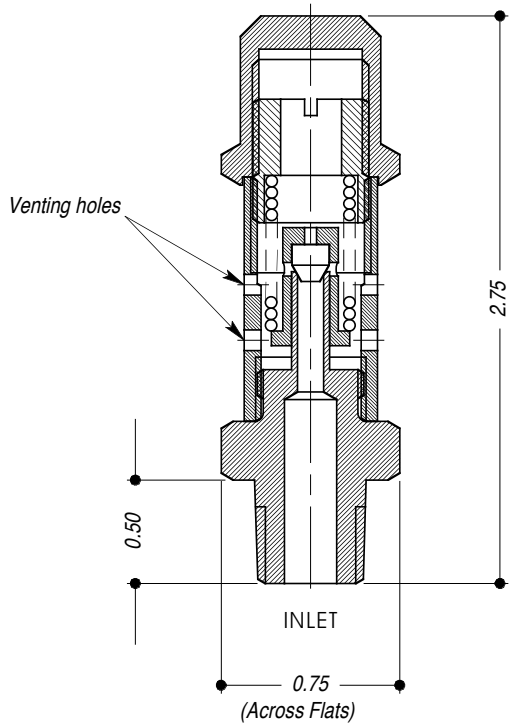


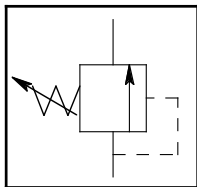
RELIEF VALVE (H.P.) TYPE: HS25



- PRESSURE EQUIPMENT DIRECTIVE (PED) 2014/68/EU APPROVED.
- STAINLESS STEEL (316 / 1.4404)
- SUITABLE FOR LIQUID OR GAS USE.
- VENTING TO ATMOSPHERE
- ALL DIMENSIONS IN INCHES.



Circuit Symbol



Spring range available: 400 - 2,000 psi

TECHNICAL SPECIFICATION		ORDERING EXAMPLE
Valve Type:	HS25	HS25
Porting / Connection Options:	P = BSP (Parallel) N = NPT (Taper)	N
Valve Options:	PM = Pressure Maintaining (fitted with ball seal)	—
Max. Working Press: Liquid	2,000 psi	
Orifice Size:	Ø3.2mm	
Port Size:	1/4"	
Valve Seat Mat'l: Liquid	Stainless Steel - 316/1.4404	
Seal Material:	Viton (other materials available by request)	
Dry Weight: (kg)	0.22	
Working Temperature Range:	-10°C to +120°C	